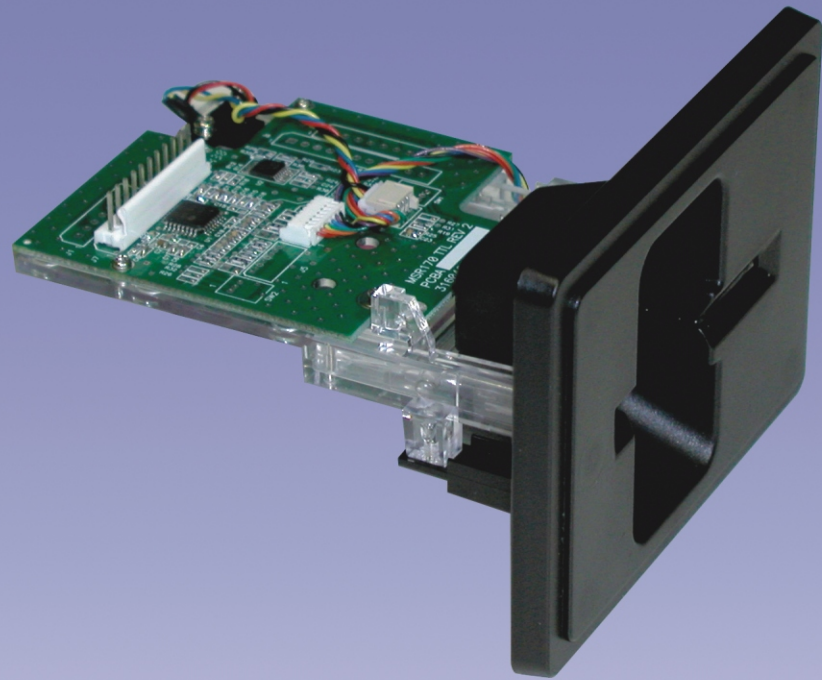


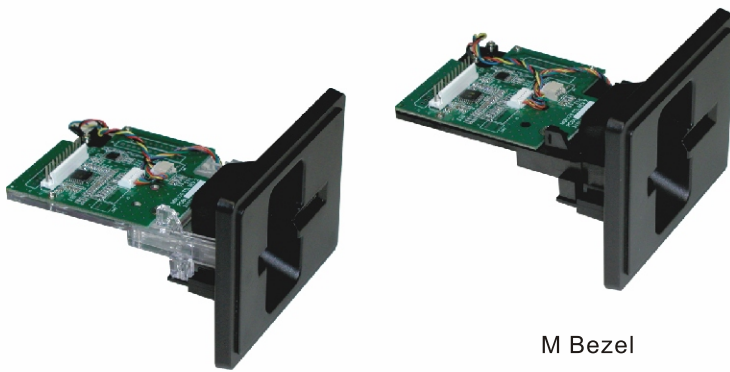
Magnetic Card Reader Manual Insertion TTL Interface



MSR270 Series

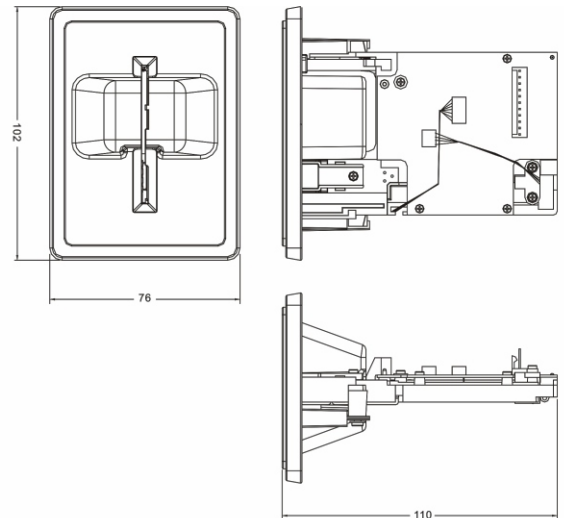
- Read magnetic cards conform to ISO 7811
- Manual full insert with TTL output
- Available, dual and triple track configuration
- Bi-directional sends data when insert or withdraw card
- Read high and low coercivity magnetic stripes (300-4000 Oe)

Manual Insert Magnetic Card Reader-TTL Interface



M Bezel ; Transparent Body

M Bezel



Specifications

Specifications		MSR270	
Model			
Electrical			
Power Requirements	+5VDC \pm 10%, +3.0VDC to +3.6VDC		
Power Consumption	10mA Max typical, 15mA Max. (+5VDC)		
Interface	TTL (RS-232 optional)		
Logic Characteristic	Default at Negative, Positive optional		
Ripple	50mVp-p or less		
Mechanical			
Body Material	PC, UL94V-O		
Dimensions	110L x 102W x 76H mm (Ref. M bezel model)		
Weight	Approx. 75g (Ref. M bezel model)		
Card Handling Method	Manual insertion		
Environment			
Operation Temperature	-5°C to +50°C		
Storage Temperature	-40°C to +80°C		
Operation Humidity	5% to 95%		
Storage Humidity	5% to 95%		
Agency Approval			
Rating	FCC class B, CE class B		
Performance			
Read Card Format	Track 1	Track 2	Track 3
Bit Density	210 bpi	75 bpi	210 bpi
Card Types	Magnetic card as per ISO7810, 7811, AAMVA		
Read Capability	Magnetic stripe single, dual or triple track of low/high coercivity (300~4000 Oe)		
Read Speed	Standard Card 4 ~ 40 ips	Jitter \pm 15% 5 ~ 35 ips	Amp. 60% 5 ~ 35 ips
Card Thickness	0.76 \pm 0.08mm		
Error Rate	< 0.5%		
MTBF	100,000 Hours		
Magnetic Head Life	500K min, 1 M life optional		

UIC Headquarters
Uniform Industrial Corp. Taiwan
 1F, No. 1, Lane 15, Chih Chiang St.,
 Tu Cheng City, Taipei Hsien,
 Taiwan, R.O.C.
 TEL: +886-2-2268-7075
 FAX: +886-2-2269-5686
 VC ISDN: +886-2-8076-0126
 VC IP Line: 60.248.204.230
 E-Mail: info@uniform.com.tw
 URL: www.uicworld.com

UIC USA
Uniform Industrial Corp. USA
 47709 Fremont Blvd.,
 Fremont, CA 94538-6512, USA.
 TEL: +1-510-438-6799
 FAX: +1-510-438-6790
 E-Mail: info@uicusa.com
 URL: www.uicusa.com

UIC Europe
Uniform Industrial Corp.
 Suite 2.7 Discovery House,
 Gemini Crescent, Technology Park,
 Dundee, DD2 1SW, United Kingdom
 TEL: +44-1382-561162
 FAX: +44-1382-561163
 E-Mail: info@uiceurope.com
 URL: www.uicworld.com