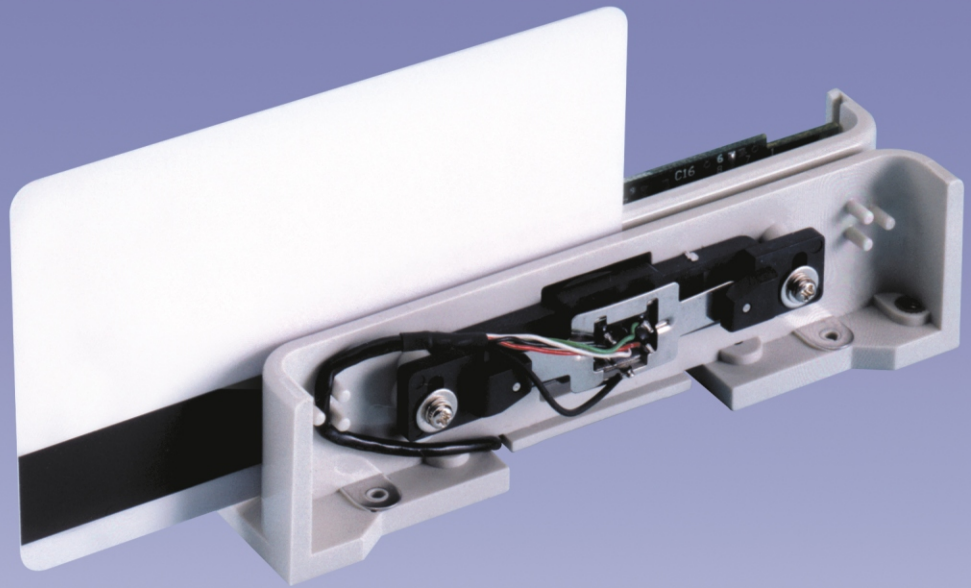


Magnetic Stripe Reader TTL Interface

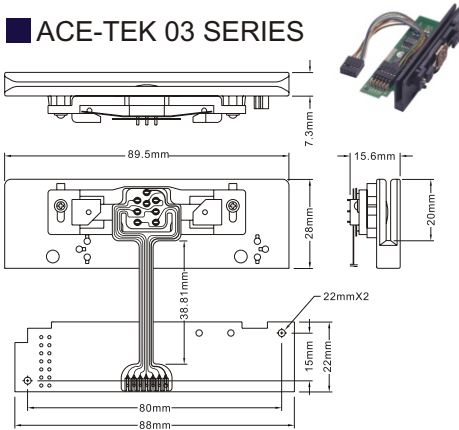


ACETEK Series

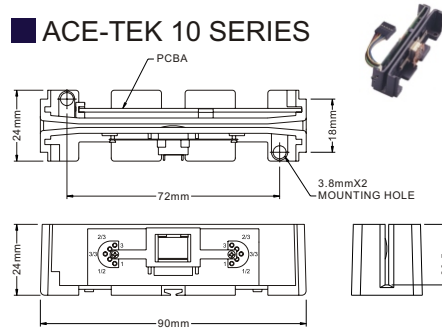
- Read magnetic stripe cards conform to ISO 7811
- Manual swipe, bi-directional with TTL output
- Available in single, dual or triple track configuration
- Read high & low coercivity magnetic stripes (300 ~ 4000 Oe)
- Wide range operational swipe speed
- 5VDC+/-10% operational power
- CE, FCC certified

Magnetic Stripe Reader TTL Interface

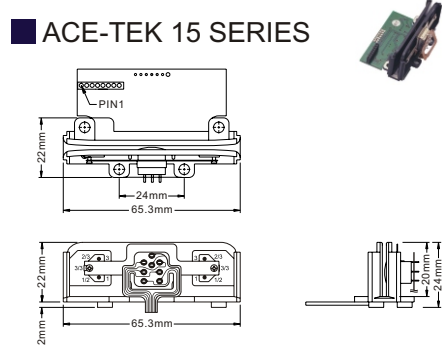
ACE-TEK 03 SERIES



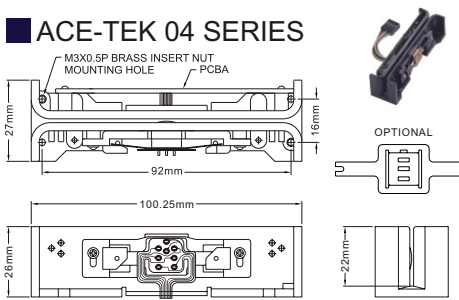
ACE-TEK 10 SERIES



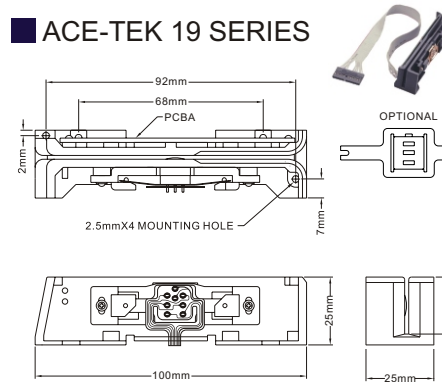
ACE-TEK 15 SERIES



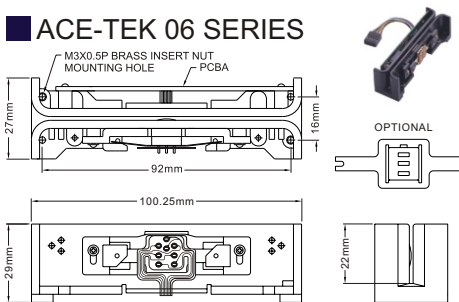
ACE-TEK 04 SERIES



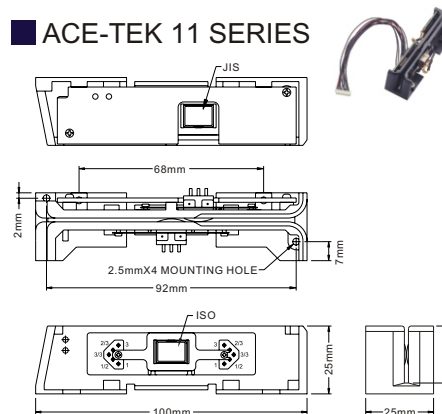
ACE-TEK 19 SERIES



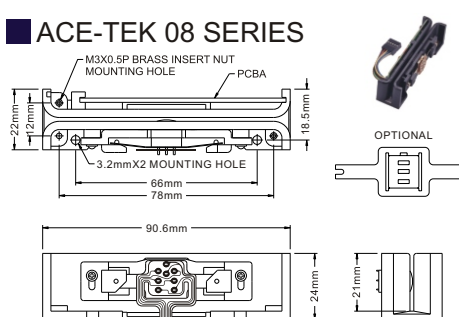
ACE-TEK 06 SERIES



ACE-TEK 11 SERIES



ACE-TEK 08 SERIES



Specifications			
Model	ACETEK Series		
Electrical			
Power Requirement	+5VDC ± 10%		
Power Consumption	5mA Max.		
Interface	TTL Interface		
Logic Characteristic	Default at Negative, Positive optional		
Ripple	50mVp-p or less		
Dielectric strength	500VDC for 1 minute		
Mechanical			
Body Material	ABS 94V-0		
Weight	Approx. 40-50g		
Swipe	Manual, Bi-direction		
Environment			
Operation Temperature	-10 °C to +55 °C		
Storage Temperature	-30 °C to +70 °C		
Operation Humidity	10% to 85%		
Storage Humidity	10% to 90%		
Agency Approval	FCC class B, CE class B,		
Performance			
Read Card Format	Track1	Track2	Track3
Bit Density	210 bpi	75 bpi	210 bpi
Read Capability	Magnetic stripe - single, dual or triple track of low/high coercivity (300-4000 Oe)		
Test Card Types	STD Card	Jitter ± 15%	Amp.60%
Read Speed	5-55ips	5-50ips	5-50ips
Card Thickness	0.76 ± 0.08mm		
Error Rate	< 0.5%		
Head Life	500K swipes, 1M life optional		

Model Configuration						
Series	Dimension(mm)			Track		
	L	W	H	1	2	3
ACE-TEK 03	89.5	7.3	28	R	R	R
ACE-TEK 04	100.25	27	26	R	R	R
ACE-TEK 06	100.25	27	29	R	R	R
ACE-TEK 08	90.6	22	24	R	R	R
ACE-TEK 10	90	24	24	R	R	R
ACE-TEK 11	100	25	25	JIS I and/or JIS II		
ACE-TEK 15	65.3	22	22	R	R	R
ACE-TEK 19	100	25	25	R	R	R

Default color black, customize color request minimum quantity
Cover added available in ACE-TEK 04 & 06 series

Interconnection					
Wire assembly	Length 20-23 cm or customized				
Connector	Molex 5051 equivalent or customized				
Pin assignment					
Pin No.	Single	Dual	Triple	JIS	
1	RDP	VCC	VCC	GND	
2	RCP	GND	GND	VCC	
3	CLS	RDP2	CLS	RCP2	
4	VCC	RDP1 or 3	--	--	
5	GND	RCP2	RCP1	RDP2	
6	--	RCP1 or 3	RCP2	--	
7	--	CLS	RDP1	CLS	
8	--	--	RDP1	RDP1	
9	--	--	RCP3	RCP1	
10	--	--	RDP3	--	

UIC Headquarters
Uniform Industrial Corp. Taiwan
 1F, No. 1, Lane 15, Chih Chiang St.,
 Tu Cheng City, Taipei Hsien,
 Taiwan, R.O.C.
 TEL: +886-2-2268-7075
 FAX: +886-2-2269-5686
 VC ISDN: +886-2-8076-0126
 VC IP Line: 60.248.204.230
 E-Mail: info@uniform.com.tw
 URL: www.uicworld.com

UIC USA
Uniform Industrial Corp. USA
 47709 Fremont Blvd.,
 Fremont, CA 94538-6512, USA.
 TEL: +1-510-438-6799
 FAX: +1-510-438-6790
 E-Mail: info@uicusa.com
 URL: www.uicusa.com